

FEATURES:

- Adds extra single acting cylinder functions
- 7 GPM 3000 PSI
- Works on any tractor
- Easy to mount
- One handed operation
- Aluminum body construction
- Commercial grade sealed switch

Now you can control all three of your batwing mower's hydraulic functions with just one set of hydraulic remotes (tractor must have float).

It's simple to install. Mount the valve on your tractor or implement, connect hoses to cylinders, mount control grip on existing remote lever, connect female leads to coils and run wire to a 12 volt power source.

The Batwing Special is easy to use. To control the wings, move the remote lever forward for one side and backward for the other side. Move lever to float to lower the wings.

The center section is controlled by pressing the switch on control grip and moving the lever. Typically backwards, to raise. Move the lever to float to lower. Leave the lever in float and you're ready to mow.

The Batwing Special will also work on other one-way applications such as headers, swathers and markers.

WARRANTY: Two years from date of purchase on manufacturing defects.



V&M HYDRAULIC MULTIPLIER

ONE WAY ADD-A-VALVE/ INSTALLATION INSTRUCTIONS

1. If the hydraulic remote outlet is strong enough, the valve can be directly "quick-connected". The 3 #8 o-ring x 1/2" mpt adapters are for the quick-connects, most have 1/2" female pipe threads. If the manifold is going to be bolted to the tractor or implement 2 1/4" holes are drilled in the manifold. Make sure that the solenoid has clearance from moving parts (3 point hitch), debris, etc.

2. If not quick-connecting the valve, install a hose from the tractor's hydraulic remote to the inlet port stamped #3 on the manifold. We suggest using swivel hose fittings for ease of installation.

3. Run cylinder hoses to the corresponding ports on the manifold as shown.

4. Mount the control grip on the hydraulic remote lever (U-clamps included).

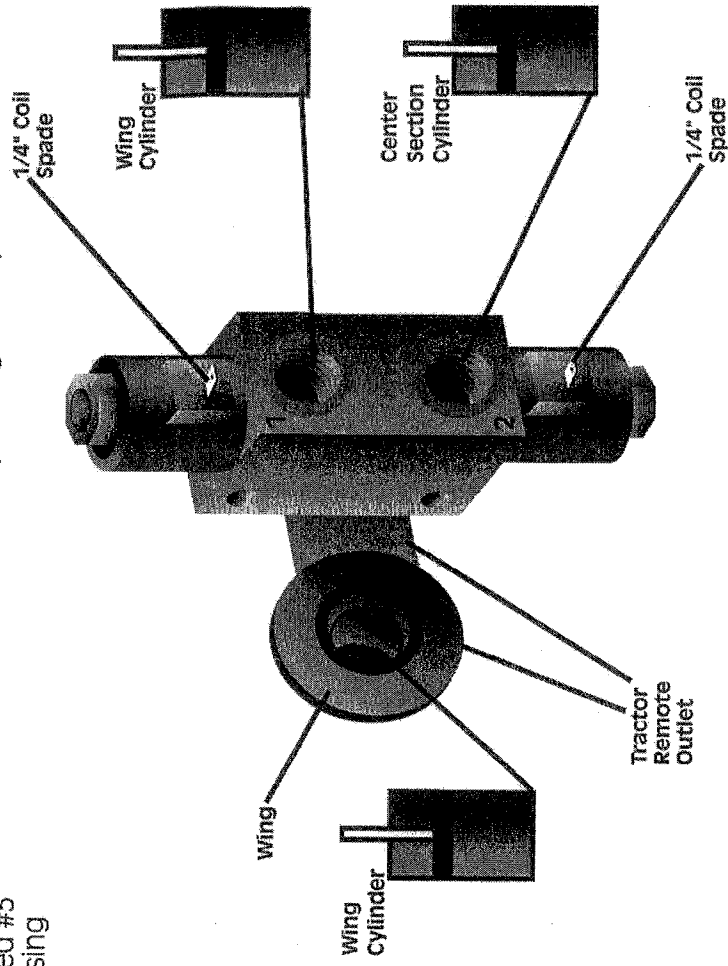
Spacers or shims may be needed.

5. Run the control wires to the valve manifold and connect the female wire leads to the solenoid spades. Two wires will be left over. The red wire on the control handle is your "hot" wire for connection to a 12V power source. Make sure that the power shuts off with your ignition switch. Use a circuit with a

5 to 10 amp fuse. A ground wire to the tractor will be needed if mounted on implement.

6. Bleed your hydraulic system to remove all air from the hoses and cylinders. Air and contamination are the biggest problem in hydraulics. Make sure you change your filter and hydraulic fluid to manufacturer's specifications to help avoid problems.

If you have questions, please give us a call at (605)332-2481 between 8 a.m. and 5 p.m. central time Monday through Friday.



Patent #4949757

V&M Inc., Hydraulic Multiplier 300 E. 40th St. N. • Sioux Falls, SD 57104-0701 • 1-800-648-6507

October 1997